

LITHIUM BATTERY



LFP12100

Features Of LiFePO4 Battery

- Ultra light weight
- High integration, small size, high energy density
- Eco-friendly clean energy
- Long lifespan sustainable
- High efficiency

Application Scenarios

- Electric vehicles, Electric mobility
- Solar/wind energy storage system
- Telecommunication
- Medical equipment
- Lighting



Specification

Nominal Voltage	12.8V	
Working Voltage	10-14.6V	
Nominal Capacity	100A	
Energy	1280Wh	
Positive Material	LFP	
Approx. Weight	13.4KG	
Dimension	Length	350mm
	Width	220mm
	Container Height	160mm
Terminal Type	M6	
Container Material	SPCC	
IP Rating	IP65	
Temp. Range	Charge	0~55°C
	Discharge	-20~60°C
	Storage	-20~60°C
Recom. Temp. Range	Charge	15~35°C
	Discharge	15~35°C
	Storage	-10~35°C
Cycle Life	5000 cycles	
Self Discharge	≤3% Per Month	
Max.number of series and parallel connections	4P or 4S	

Charge

Max Continuous Charge	100A
Recom. Charging Current	20A
Upper Limit Voltage	14.6V

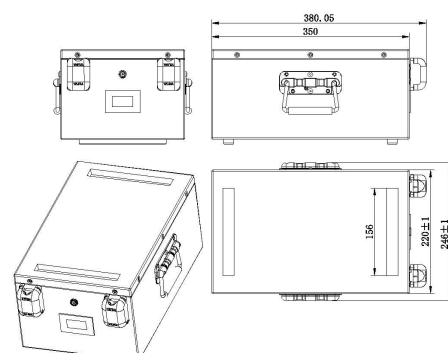
DisCharge

Max Continuous Discharge	100A
Recom. Discharge Current	50A
Lower Limit Voltage	10V

Additional Function

Bluetooth

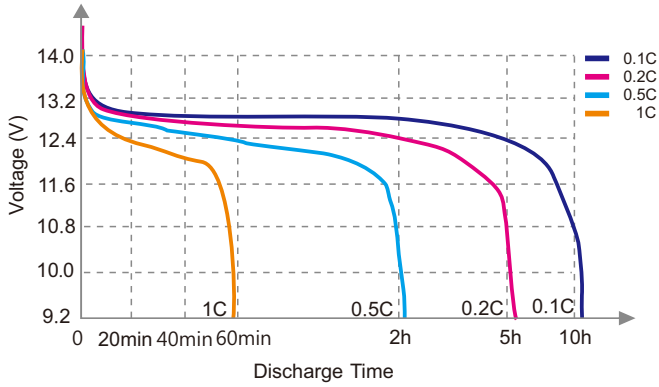
Physical Dimension-mm



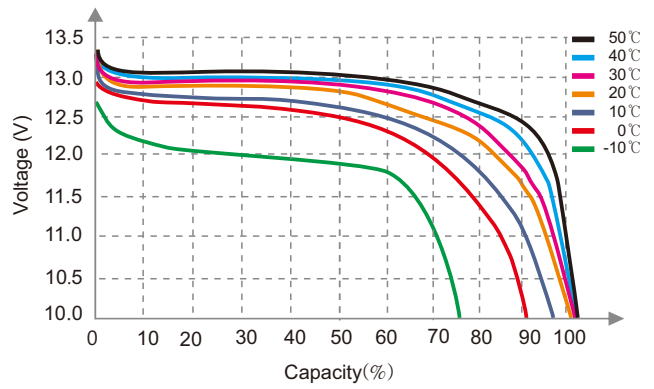
LITHIUM BATTERY

LFP12100

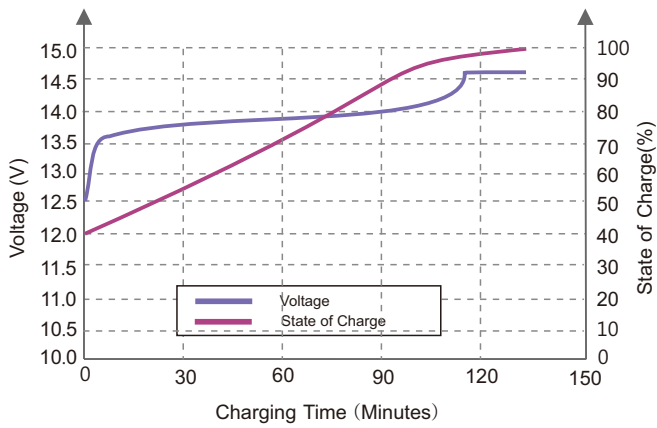
Different Rate Discharge Curve(25°C)



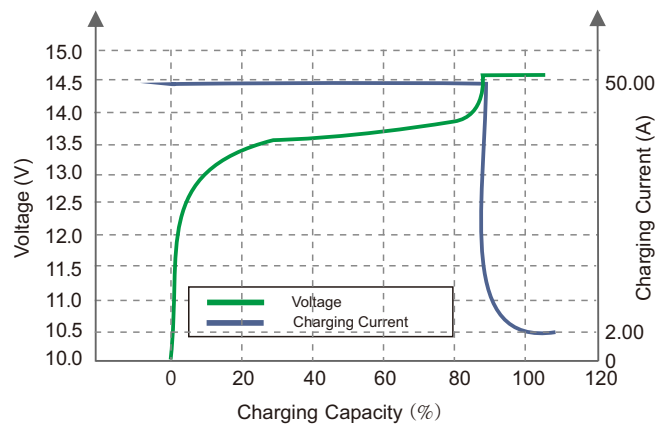
Different Temperature Discharge Curve(0.5C)



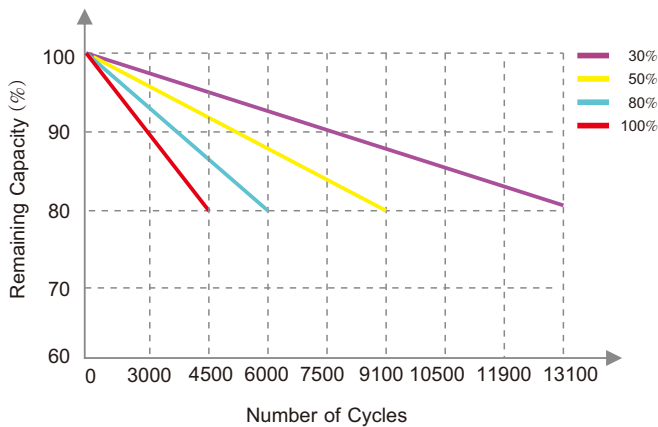
State of Charge Curve(0.5C, 25°C)



Charging Characteristics(0.5C, 25°C)



Different DOD Discharge Cycle Life Curve(0.5C)



Different Temperature Self Discharge Curve

